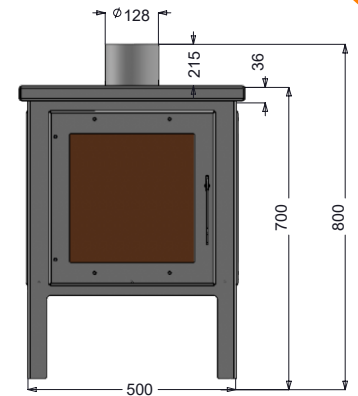


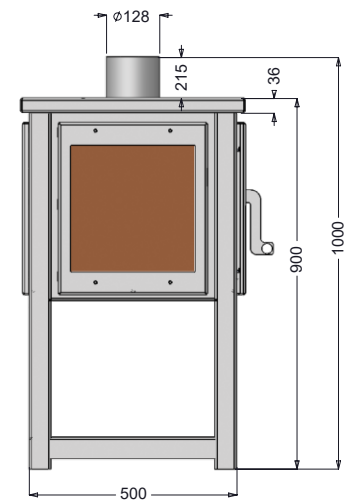
Pevex Garden Stove

3 & 4 sided door glass options

New for
2021



Garden stove 700 - 3 sided



Garden stove 900 - 4 sided

FEATURES

- Made from Corten Steel
- Air wash on each window
- Convectop top plate
- Rear fire bricks and convectop back panel (3 sided model)
- 2 heights & 3 or 4 sided models
- Adjustable feet
- Lower shelf available
- Corten steel flue available

New for Spring and Summer of 2021 is the UK designed and built Pevex Garden Stove made from Corten Steel which develops a weatherproof patina on its surface over time. Available in 2 heights and choose between a 3 sided or 4 sided door glass options.

A built in air wash on each glass panel ensures a clear and an unobstructive view of the swirling flames in the chamber producing luxurious warmth for your garden setting to allow you to enjoy long and cosy evenings.

Available in 2 legs lengths and with the option to purchase a drop in lower shelf, rear and bottom heat shields and corten steel hearth plate.



Pevexstoves

T: 01473 736399 F: 01473 736406

www.pevexstoves.co.uk

E: sales@pevexstoves.co.uk

