



GAS EFFECT STOVE

X40 Cube

Installation and User Manual

INSTALLATION & USER MANUAL



IMPORTANT NOTICE:

Read these instructions carefully before installation or use.

This appliance must be installed and serviced by a qualified Engineer according to local and national regulations.

The flue system must comply with local and national regulations when inspection takes place prior to installation.

Model Name:

X40 Cube Panorama

Bohemia X40

Newbourne 40FS/Panorama

Bucklesham 40FS/Panorama

Manual contents

| Information | Page |
|-------------------------|-------|
| Installing | 4 |
| Technical Data | 5-6 |
| Construction | 7 |
| Gas | 8 |
| Preparing the Appliance | 9 |
| Testing | 10-11 |
| Service and Maintenance | 12 |
| Check List | 13 |
| Valve Fault Codes | 14-15 |
| User Instructions | 16 |
| Ventilation/Cleaning | 17-18 |
| Control System | 19-22 |
| Commissioning Checks | 23 |
| Service Sheets | 24-25 |
| Warranty Term | 26 |
| Warranty Registration | 27 |

Installing:

By law this appliance must be installed in accordance with the rules in force and used only in a sufficiently ventilated space. The appliance is manufactured for countries of destination GB and NI

Please consult instructions before installation and use of this appliance.

Note: The burner pressures are factory set and cannot be altered.

Before installation, ensure that the local distribution conditions (identification of the type of gas and pressure) and the adjustment of the appliance are compatible.

The spillage monitoring system shall not be adjusted by the installer, the spillage monitoring system shall not be put out of operation, any parts to be replaced relating to the spillage monitoring system shall be only manufacturers original parts.

The whole of the appliance is classes as the working surface

For your safety it is law that all gas appliances must be installed by a competent person.

The installation must be carried out in accordance with the relevant local and national specifications and comply with current Building Regulations.

It is recommended the fitting of a Carbon Monoxide detector that conforms to EN 50291 wherever a gas appliance is installed.

It is recommended the use of a gas liner for this product in accordance with local and national regulations.

The flue must not be shared with any other appliance.

The flue must be fitted in accordance with local and national regulations.

Any form of damper plates or restrictor plate must not be fitted in the flue.

The flue must be inspected by a competent person and passed for use with the appliance.

It is advised the flue system on an annual basis to ensure that the flue system is sound and the combustion products outlet is clear of obstruction.

The flue system should only be fitted to the appliance where the chimney serving the appliance

- Has passed a flue flow test to ensure that the flue is sound and without leaks; and
- Has been swept if previously used for solid fuel.

The pilot light and flame sensing device fitted to this appliance is also an atmospheric sensing device, this is not adjustable and must not be altered or removed. If the pilot light is damaged or faulty it should only be replaced immediately.

All new building work for the appliance must be dried for a minimum of 6 weeks prior to install.

It is recommended that a guard be used for the protection of young children, the elderly or infirm and also for normal use conforming to BS8423:2002, such that access to the hot appliance is minimised.

Do not place combustible materials directly in front of the appliance.

In case of a damaged or broken glass, do not use the appliance.

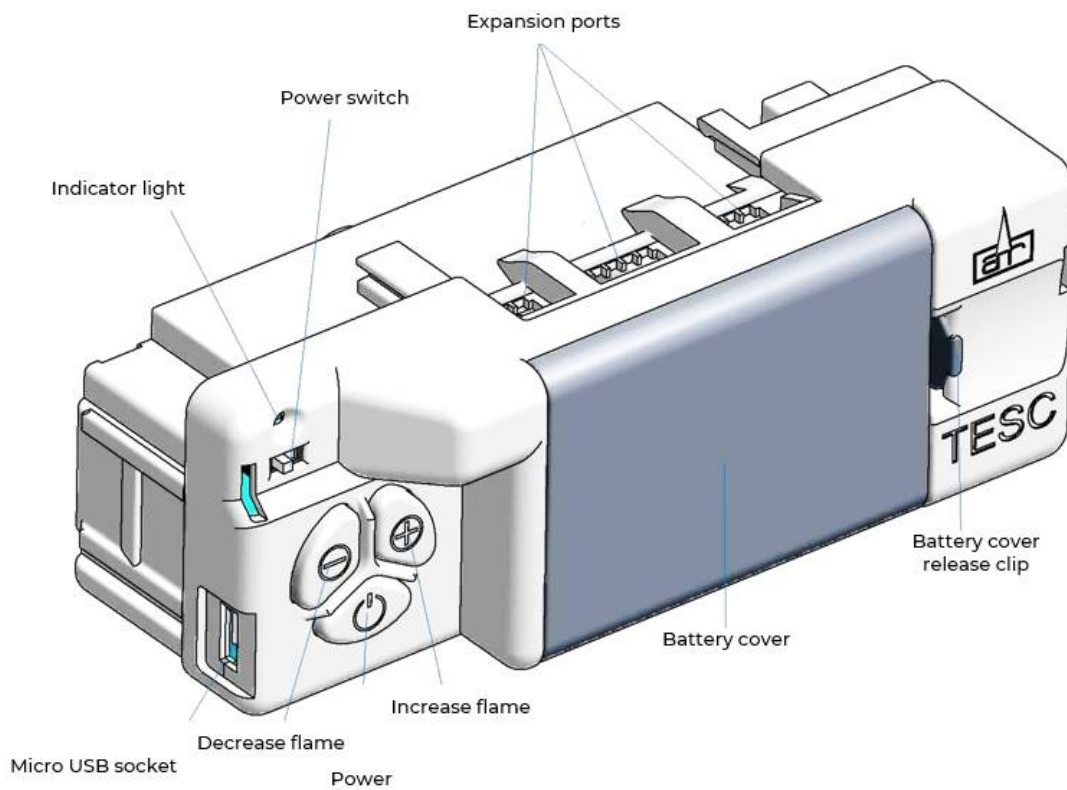
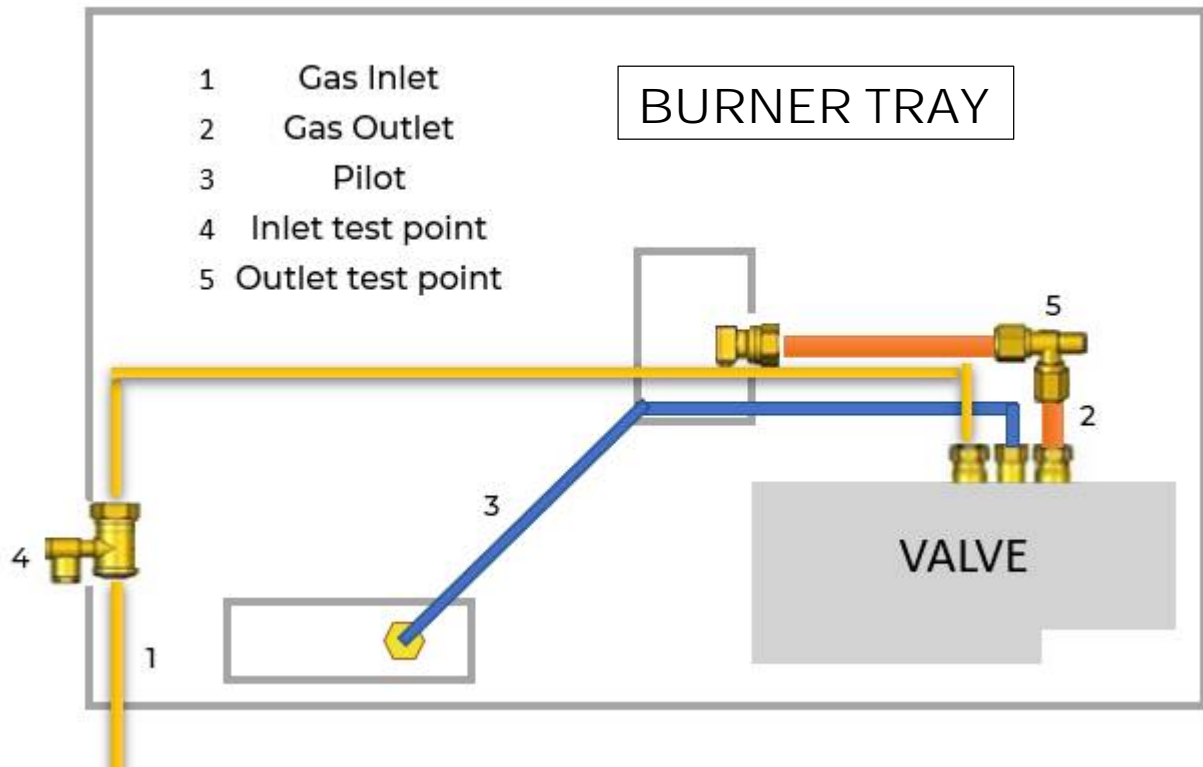
Clean the glass before you use the appliance in order to prevent dirt from burning on the glass.

The appliance is fitted with a data plate and must not be removed if it is used for warranty and servicing.

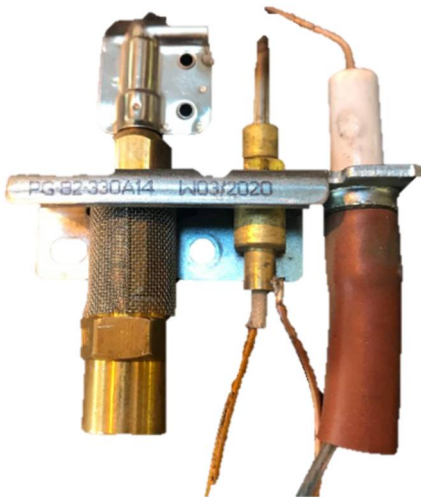
| | | | |
|---|----------------------|--|--------------------------|
| | | Manufactured for PEVEX - by GPS LTD, Suite 17 Barnfield House Acrington Road, Blackburn | |
| IMPORTANT NOTICE - This appliance must be installed in accordance with the rules in force and used in a sufficiently ventilated space. Always consult the instructions before installation and use of the appliance | | | |
| SPILLAGE TEST - The installer must check that all products of combustion are entering the flue after 10 minutes when lit from cold, by traversing the perimeter of the fireplace opening or canopy using a smoke generator | | | |
| UK | <input type="text"/> | <input type="text"/> | <input type="text"/> |
| CA | Pin | Countries | Trade Name |
| | X40G NG | 1232456 | 400 |
| | Product Code | Serial Number | Injector |
| 0359 | 2021 | Class 2 | 30 |
| | Year of Manufacture | Appliance Category | Inlet Pressure Cold mbar |
| | | Burner Pressure Cold mbar | Heat Input Gross kW |

| | | | |
|---|----------------------|--|--------------------------|
| | | Manufactured for PEVEX - by GPS LTD, Suite 17 Barnfield House Acrington Road, Blackburn | |
| IMPORTANT NOTICE - This appliance must be installed in accordance with the rules in force and used in a sufficiently ventilated space. Always consult the instructions before installation and use of the appliance | | | |
| SPILLAGE TEST - The installer must check that all products of combustion are entering the flue after 10 minutes when lit from cold, by traversing the perimeter of the fireplace opening or canopy using a smoke generator | | | |
| UK | <input type="text"/> | <input type="text"/> | <input type="text"/> |
| CA | Pin | Countries | Trade Name |
| | X40G LPS | GB/NI | X40 CUBE |
| | X40G NG | 1232456 | 160 |
| | Product Code | Serial Number | Injector |
| 0359 | 2021 | Class 2 | 37 |
| | Year of Manufacture | Appliance Category | Inlet Pressure Cold mbar |
| | | Burner Pressure Cold mbar | Heat Input Gross kW |

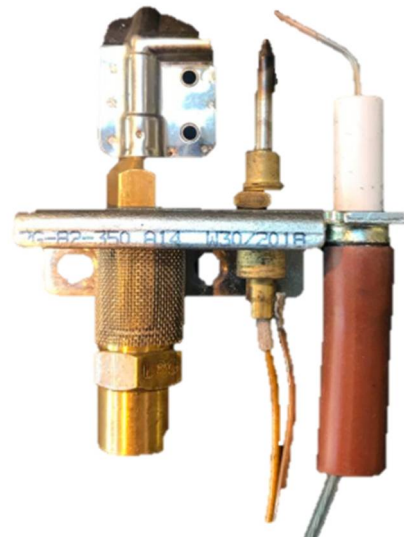
Gas Burner control unit:



**Pilot assembly
NG 82/330**



**Pilot assembly
NG 82/350**



Hand set



- 1 Battery level
- 2 Burner status
- 3 Week day
- 4 Mode
- 5 Time
- 6 In range
- 7 Room Temp
- 8 Unlocked
- 9 Settings
- 10 Increase flame
- 11 Power
- 12 Decrease flame
- 13 Mode
- 14 Back light

Information on Construction:

Hearths

The hearth provided shall meet the National regulations, in Great Britain this would be to Building Regulation Document J and BS5871-1.

A Hearth shall be provided for the stove extending to at least the front of the supporting legs, and at least each side of the stove. The edge of the hearth should be marked to provide a warning to the building occupants and to discourage combustible floor finishes such as carpet laid too close to the appliance. A way of achieving this would be to have the hearth higher than the floor level.

The hearth shall have a minimum thickness of 12mm.

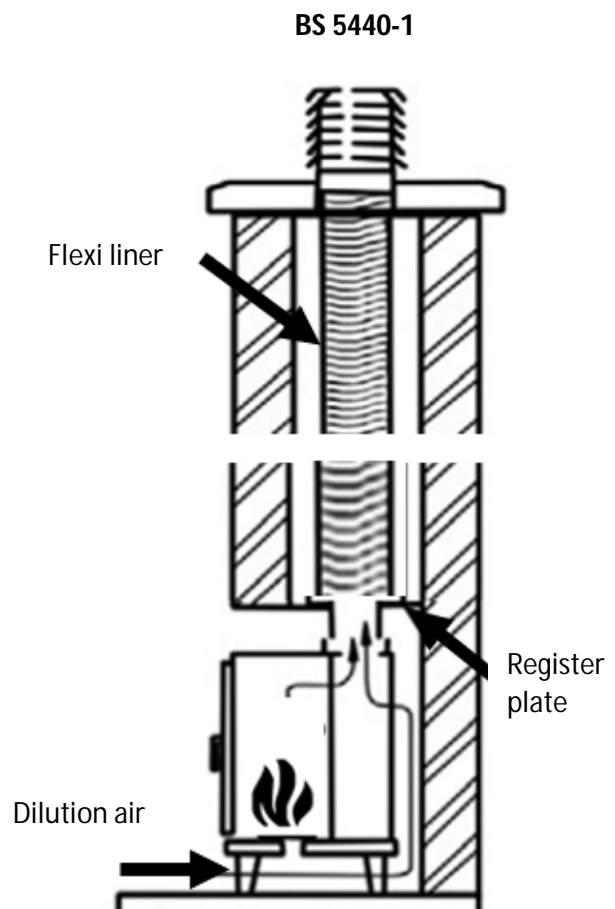
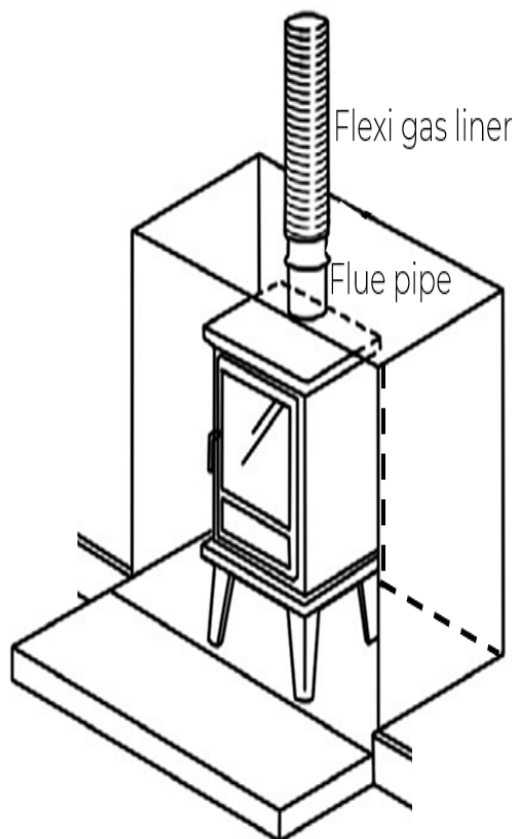
Emissions Exit:

Conventional flue

A smoke pellet to be used to determine the flue draw. Before installation place a pellet in the chimney liner and light, check for leakage in all areas including bedrooms and loft. This is an initial test only and a spillage test is required on install to ensure flue is pulling correctly.

The flue liner minimum length is 3m – The maximum height of the flue is determined by the draw of the flue as per flue testing.

Conventional Class 1 chimney (Lined) B-S 5440-1



The Builders Opening:

Noncombustible heat resistant materials to be used for the chimney breast, including the top of the chimney breast, the material in the chimney breast and the construction must comply with all relevant regulations.

The gas appliance can be used with a sound Class 1 lined flue with a minimum 4" diameter. If the appliance is used with an existing lined chimney the minimum flue diameter must be 6" or above to accommodate the 4" liner.

Appliance distances and clearances

The minimum distances to combustibles are given in the table below.

Distances to non-combustibles should conform to local and national building regulations.

Due to the nature of the appliance most part of it will become hot during normal operation, therefore the entire appliance is as a working surface.

If a shelf is installed it should not have a greater depth than 250mm

| Gas Appliance | COMBUSTIBLES |
|------------------------------|--------------|
| Rear of appliance | 100mm |
| Side of appliance | 150mm |
| Above the appliance | 200mm |
| Shelf height above appliance | 300mm |

Existing Gas

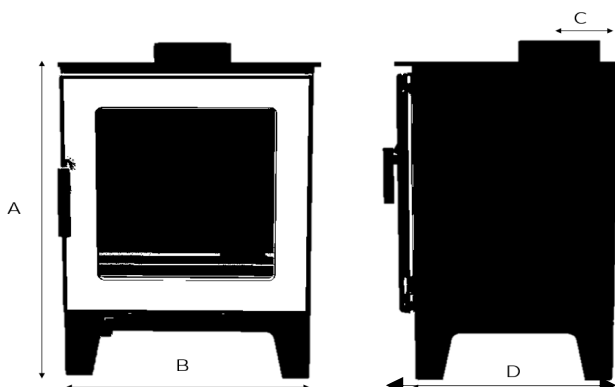
Safety it is law states that all gas appliances must be installed by a competent person, in accordance with the current Gas Safety regulations in Great Britain.

Ensuring the gas supply is capable of delivering the required amount of gas.

The gas inlet connection is located below the burner. This can be accessed via the door. The pipe should run under the appliance and connect into the inlet connection of the 8mm fitting. The gas pipe can be routed from any direction below the appliance.

An isolation valve or valves must be fitted near to the appliance in an accessible area, meeting all local and national regulations this is to allow the complete removal of the appliance to allow removal if nessecary.

Appliance dimensions:



| Appliance | A | B | C | D |
|------------------|-----|-----|-----|-----|
| Dimensions in mm | 582 | 490 | 100 | 361 |

Perpetration for install:

The appliance comes in 2 parts: 1 The stove, 2. The gas burner and log set. The installer marries both parts during instillation.

Perpetration for install:

The free-standing appliance does not require fastening neither to the floor or the wall.

Flue connection:

Place the appliance in position. The appliance spigot should only be connected to a suitable flue system.

The flue pipe needs to be placed over the appliance spigot, ensuring a minimum of 50mm insertion depth.

The joint between the flue pipe and the appliance spigot needs sealing with a suitable high temperature sealant.

Secure the flue in position using suitable fixings.

The flue must be sealed to the appliance to ensure the products of combustion do not enter the room.



Fitting the burner to the stove:

Unpack the burner taking care not to disturb the TTB (**Thermal Trip Breaker**) connection on the rear of the valve. Carefully open the stove door and thread the TTB through the bottom of the stove. The TTB can then be attached to the rear of the unit using the 2 screws provided.

The burner drops into the unit and is married using 4 screws (Supplied with the unit) Ensure there is no debris in the gas supply pipe and the inlet of the burner. Upon completion of the burner install place logs and shale as image below and sit log guard into position. Connect the flue and gas supply. Once this is done add the batteries and connect with the handset.

Do not fit and handle the TTB without removing power form the TESC first. TESC must be de powered. If TESC Is powered and the conductors of the cable or the terminals on the cable that fit to the TTB switch or the TTB switch terminals when the cable is fitted, touches any grounded metal parts, this will destroy internal parts of the TESC power supply (which is not covered by any warranty).

The bracket on the TTB is a floating one, to ensure this does not contribute to the above damage, Secure the TTB before making any electrical connections and remove any power to the TESC (remove the batteries etc.) before fitting or removing the TTB switch. Make this clear in your servicing instructions.

TTB (Thermal Trip Breaker)



DO NOT FIT THE BATTERIES IN THE VALVE UNIT UNTIL THE TTB AND BURNER ARE IN A FIXED POSITION.

IF THE TTB IS EARTHED WITH THE BATTRIES INSTALLED THE VALVE WILL BE DAMAGED.



Log arrangement

PLEASE THE LOG SAT AS SHOWN ONTO THE BURNER TRAY. ONCE THE LOGS ARE IN POSITION THE SHALE CHIPPINGS CAN BE ADDED



Gas soundness test:

The gas soundness test can now be performed. Connect a suitable test meter to the pressure test point ensuring the tube is under the body of the appliance, **not through the door**. Carry out a soundness test, on completion leave the meter connected to the unit.

Only continue with the installation if soundness is satisfactory.

Inlet / Working Pressure

Using the test meter connected and the door closed, check the inlet pressure is correct.

Light the appliance referring to the instructions.
Run the appliance on a full rate and check the working pressure is correct.

Turn off the appliance and allow the appliance to cool and remove the test meter.

Burner Pressure

Connect a suitable test meter to the burner pressure test point.

Light the appliance referring to the lighting instructions. Run the appliance on a full rate and check the burner pressure is correct.

Turn off appliance and allow it to cool and remove the test meter.

Commissioning:

Check the gas supply and gas appliance for soundness.
The appliance must be fully fitted; the door of the appliance must be closed. Check that there are no gaps between the door and stove front ensuring the seal is sound.

Check that all the combustion gasses are entering the flue and that no combustion gasses are entering the building.

First time light:

Do not run the appliance with the door open.

When lighting the appliance for the first time, the materials (i.e. paint, cement etc.) will give off an odour and may smoke. This is normal as it is a new product and the smell will disappear after a short period. Keep the room well ventilated during lighting.

Check that all functions work correctly.

Run the fire on maximum for approximately 30mins allowing the logs to glow before turning the appliance to low.

Once the appliance is heated the blue flame will turn more orange,

Spillage Test:

A spillage check must be performed. The spillage test is intended to check the draw of the flue in the chimney. Close all doors, windows and any other openings in the room. Testing must be performed on 'high' rate and has been running for a minimum 10 minutes. Check the appliance for spillage using a smoke match and correct test equipment. Position a lit smoke match under the appliance and observe if the flue is pulling the smoke. If the smoke isn't drawn the flue is under performing or is blocked.

Aeration:

The aeration is factory set and **MUST NOT** be altered in any way.

The installer must fill in commissioning check list sheet upon instillation.

Pressure Check:

Always check the inlet pressure and burner pressure. The appliance has been adjusted to give the correct heat inputs and needs no further adjustment.

1. Turn off the appliance.
2. Release the inlet pressure test point and connect a manometer.
3. Check that the pressure is as the supply pressure stated.
4. Perform the test when the appliance is burning on full.
5. If the pressure is low, check the gas pipes are the correct size.
6. If the pressure is too high (more than 5mb) the appliance may be installed, but the gas provider must be contacted.
7. Release the screw on the Burner Pressure test point on the burner assembly and connect a manometer.
8. Check that the measured pressure is as detailed in the Technical details.
9. The measured value should be within +/- 10% of the required value. If this is not please contact the supplier.

Note: After checking the pressures and removing the manometers, the screws in the Pressure Test points **must** be closed, and the system must be checked for gas-tightness.

Flame stability:

On starting the appliance, the ignition will light the pilot, once the main valve opens to high rate to allow gas through to the burner. All of the burner should light within 5 seconds lighting the whole burner area. If the appliance fails to do so turn off the unit and re-ight after 5 minutes.

There should be no problems lighting the burner. Check the stability of the flame turning from low rate to high rate, repeat this a few times observing the stability of the main burner and pilot flame.

Customer handover:

Give full instruction to the customer stressing the handset safety feature.

- Warn of smell and smoke on new product whilst ensuring room is well ventilated
- Inform the customer not to disturb the logs
- Inform the customer not to run the unit with the door open
- Inform the customer an annual service is required on the unit as the flue may get blocked with no one knowing.
- Show and explain the function of isolation valve
- Explain to the customer the function of the flame sensing device, if the product continually turns to isolate the unit and call a Gas safe engineer.
- Explain that a safety feature of the valve has a 5-minute time delay on re-ignition.

Customer Warning:

- **DO NOT BLOCK AIR INTAKE OR VENTS**
- **DO NOT TOUCH THE APPLIANCE WHEN IN USE A GUARD CONFIRMING TO BS8423:2002 TO BE USED POR CHILD, AGED AND INFIRM PERSONS**
- **DO NOT PLACE COMBUSTABLE MATERIALS INFRONT OF THE UNIT**
- **DO NOT STAND INFRONT OF THE UNIT AS LOOSE CLOTHES MAY COMBUST**
- **DO NOT USR THE APPLIANCE IF THERE IS A CRACK IN THE GLASS OR THE GLASS SEAL IS PERISHED, REPLACE THE PARTS.**

***Ensure the installer details are filled in.
Hand over the installation manual to the customer.***

Service and Maintenance

The appliance should be serviced annually by a qualified Gas Safe Engineer

Annual Maintenance:

Ensure the appliance is cold before carrying out a service.

Isolate the appliance and disconnect the unit.

Always test for gas soundness and spillage test after refitting the appliance.

Check all logs, pilot burner/ignition unit, for soot or debris deposits. Replace all misplaced logs and retest.

On the failure of pilot burner/ignition or control valve, have the repairs carried out by a Gas safe engineer.

Check the door seal for soundness, if needed replace.

Changing the batteries

The batteries can be replaced by accessing the valve through the stove door.

Service Procedure:

Isolate the gas supply. Ensure the appliance is cold before attempting to start servicing the appliance. No liability can be accepted for injury caused by burning or scolding by a hot appliance. Suggested procedure for servicing is listed below:

- Cover floor area liable to become contaminated during servicing.
- Open appliance door.
- Carefully remove the log and embers.
- Use a vacuum to clean the top of the burners and grate.
- Remove grate.
- Use the vacuum cleaner and a soft brush to clean the pilot assembly. Do not bend the thermocouple.
- Turn on the gas supply and check for leaks, check the burners and pilot for good condition and operation.
- Replace grate.
- Close the door and check door seal.
- Check the flue making sure there are no blockages and all is clear.
- Light the appliance and test setting pressures.
- Check for safe operation of the appliance.

Inspecting the Flue / Chimney

The inspection of the flue / chimney must be carried out on an annual basis or if there is a fault or suspected fault with the appliance not expelling the combustion gasses correctly. Perform a spillage check to confirm.

If the appliance fails, isolate the appliance and a flue inspection is to be carried out.

Remove all debris, soot, masonry etc. If there are excessive amounts of debris the register plate must be accessed to clean the void area. On completion of the servicing/maintenance a spillage test must be carried.

Service and Maintenance

| Issue | Check List |
|--|--|
| Unit does not respond. | Check remote is working properly. |
| | Check battery power supply. |
| | Check wiring is correct. |
| | Check main switch is in the on position. |
| Handset does not work. | Check battery power. |
| | Check handset is in range (Wi-Fi symbol displayed on handset). |
| | Ensure the handset is paired. |
| Unit starts but no spark or weak spark. | Check spark lead is connected properly. |
| | Check spark electrode is in the correct area and the gap correctly distanced. |
| | Check spark lead is not arcing on other parts of the appliance |
| Unit sparks but does not light pilot. | Check for a good spark. |
| | Check the spark is in the correct area. |
| | Check if the ventilation is not too strong. |
| | Check if there is gas running through. |
| If there is no gas. | Check isolation tap/shut off valves are free from grease. |
| | Check isolation tap/shut off valve/s are on. |
| | Check for blockages. |
| If there is gas but pilot does not light. | Check pressure is correct. |
| | Check for blockages. |
| | Check for draughts. |
| | Check the pilot gas slots are clear. |
| | Check for a clear spark. |
| Pilot lights but does not light main burner. | Check the pilot flame is heating the thermocouple. |
| | Check ventilation is not too strong. |
| | Check ventilation is not too strong and the flame is not blowing off the thermocouple and flame rectification probe. |
| | Check gas pressure is correct. |
| | Check pilot and burner flame stability. |
| Burner lights but turns off within a short period. | Check ventilation is not too strong and the flame is not blowing off the thermocouple and flame rectification probe. |
| | Check gas pressure is correct. |
| | Check pilot and burner flame stability. |

TESC VALVE CONTROL FAULT CODES

| FAULT CODE | DESCRIPTION OF FAULT | POSSIBLE CAUSE | ACTION TO TAKE |
|------------|---|--|--|
| E00 | TESC has failed all automatic ignition attempts. | <p>No gas available or air in pipework.</p> <p>Pilot pipe/injector blocked. Pilot aeration blocked.</p> <p>Insufficient gas pressure. Break in the ignition cable. Thermocouple aged or damaged.</p> <p>Flame is not covering the spark electrode.</p> | <p>Check gas supply. Check for blockages. Clear aeration hole. Check gas supply.</p> <p>Check ignition cable. Replace pilot assembly.</p> <p>Ensure correct gap.</p> |
| E01 | Low current from thermocouple or CO alarm. | <p>Unstable pilot flame from draughts.</p> <p>CO is too high in ambient atmosphere.</p> <p>Defective thermocouple.</p> | <p>Investigate draught issue.</p> <p>Investigate CO release. Replace pilot assembly.</p> |
| E02 | Too high ambient temperature around the TESC control. | <p>Faulty installation of fire. Problems with down draught in the flue.</p> <p>Incorrectly located ceramics.</p> | <p>Allow appliance to cool before relighting.</p> |
| E03 | Thermocouple not connected or bad connection. | <p>No thermocouple connected</p> <p>Incorrect connection/ reversed.</p> <p>Defective, damaged or worn thermocouple.</p> | <p>Check all connections and rectify.</p> <p>Replace pilot assembly.</p> |
| E04 | Flame detected on pilot after burner shutdown. | <p>Carbon contamination on the spark electrode.</p> | <p>Clean the spark electrode.</p> |
| E05 | Flame detected on pilot before burner starts. | <p>Carbon contamination on the spark electrode.</p> | <p>Clean the spark electrode.</p> |
| E06 | Too low voltage on power supply to start the burner. | <p>Flat batteries.</p> <p>Damaged battery contacts. On/Off switch contact issue in valve.</p> | <p>Replace the batteries in TESC.</p> <p>Clean contacts. Operate switch to clean contacts.</p> |
| E14-E17 | Issue with valve buttons. | <p>Buttons are sticking. Buttons are damaged.</p> | <p>Release buttons. Replace valve.</p> |

| FAULT CODE | DESCRIPTION OF FAULT | POSSIBLE CAUSE | ACTION TO TAKE |
|------------------------------|--|---|--|
| E24 | Thermocouple not reached temperature within 1 minute. | Aged or damaged thermocouple or wire insulation damaged. Blocked/contaminated pilot. | Replace pilot assembly. Clear blockage or contaminant. |
| E32, E46, E47, E53, E53- E56 | Self-calibration procedure of the valve fails. | Flat batteries Liquid inside electronics (leak detection fluid). | Replace batteries. Replace valve. |
| E33-E39, E40-E42 | Internal piston is having trouble moving. | Contamination in valve inlet/outlets with debris from supply pipe or jointing compounds. Mechanical damage to valve. | Clear contamination, reset allow to cool down before restarting. Replace valve. |
| E48 | Thermocouple short circuit. | Connection reversed. Insulation damaged- shorting to chassis. Defective, damaged | Rectify connection. Replace pilot assembly. Replace pilot assembly. |
| E49 | Control sensing a false flame signal on the electrode. | Contamination of electrode-carbon deposit or conductive liquids (leak detection fluid). Contamination at rear of valve where ignition cable and thermocouple connections (leak detection fluid). | Clean electrode/ replace pilot assembly. Clean contacts/ replace damaged pilot assembly or valve. |

To reset any error code the power button on the handset/valve needs to be pressed.

False error codes can be displayed if the batteries are faulty or lack enough power to operate the valve.

User Instructions

The flue must be fitted in accordance with Local and National Regulations and must not be shared with any other appliance.

A flue specialist should inspect the flue system on an annual basis to ensure that the flue system is sound and the combusted gasses escape correctly. The outlet (terminal) is clear of obstruction.

It is highly recommended that a full service on the appliance be carried out annually by Gas safe engineer.

The gas connection must be in accordance with Local and National Regulations.

Installation and servicing must be carried out by a gas safe engineer in line with relevant regulations.

It is recommend the fitting of a Carbon Monoxide detector that conforms to EN 50291 where ever a gas appliance is installed.

Do not operate the appliance if the glass is broken, or door is open. Do not to block the air intake on the appliance. Do not make changes to the appliance.

Fireguards

All parts of the appliance are hot during normal operation, so it is recommended that in the presence of young children, the elderly or infirm persons a guard conforming to BS 8423 should be used.

Do not leave children and persons who cannot judge the consequences of their actions alone with a burning appliance and place the remote control out of reach.

Allow adequate clearances from combustibles materials such as curtains, soft furnishings, electrical appliances or any items that may get damaged through heat.

Curtains should not be installed above the appliance.

Curtains must not be installed close to the appliance. A minimum clearance distance of 500mm around the appliance for curtains with an additional allowance being made for curtain movement so that the 500mm perimeter is not compromised.

Do not place combustible materials or soft furnishings directly in front of the appliance.

Blown vinyl wall paper must not be used on the chimney breast where the appliance is fitted.

The whole of the appliance becomes hot during operation and has to be classed as a working surface.

Do not place carpets or rugs directly in front of the appliance. A carpet fitted to a raised hearth is considered acceptable.

Do not alter the logs in the appliance as soot may form.

The pilot light and flame sensing device fitted to this appliance is also an atmospheric sensing device, designed to shut off the appliance if the evacuation of products of combustion is disturbed. If the appliance repeatedly shuts off after being re- a GAS SAFE registered engineer should be contacted to examine the appliance and installation.

Ventilation:

GB appliances under 7kW (net) do not require permanent ventilation in accordance with BS 5440-2.

Upon lighting the appliance, the flame will start off blue and will gradually turn a more orange color as the flue, logs and appliance heat up.

- The appliance must not be operated if the door is open, broken or has been removed.
- The appliance must not be operated if the door glass is broken or has been removed.
- The appliance should always be observed when lighting.
- Improper installation, service, maintenance, adjustment or alterations may cause injury or property damage.
- Do not disturb, add extra fibre logs or embers as this will affect combustion.
- Do not operate the appliance if the fibre logs are damaged.
- The appliance must be installed and maintained by a suitably qualified and registered gas engineer.

Ensure this manual remains with the appliance.

Important Notes:

Before performing any cleaning or maintenance ensure the appliance is cold.

- Ensure the glass is clean on both sides as dirt, oils etc can etch the glass through heat.
- Do not clean with abrasive materials.
- Ensure the door is fitted correctly to avoid spillage.
- Check spillage after carrying out work.
- The glass may collect a white powdery residue on the inside of the glass this is a combination of minerals and acids in the gas, clean as required.
- It is known the longer any residue is left on the inside of the glass the harder it is to remove.

Cleaning Paintwork

Use a clean soft dry brush or a vacuum to remove dirt and debris from the appliance. **DO NOT USE ANY CHEMICALS OR OILS TO CLEAN THE APPLIANCE.**

Cleaning Glass

The glass (Ceramic) is specially formulated to withstand very high temperatures use a mild glass cleaner. Use a soft cloth to avoid scratching.

Fuel Bed Components

Wear suitable safety equipment when cleaning the inside the appliance. It is advised to wear protective gloves and a dust mask conforming to EN 149:2001+A1:2009 FFP3 when cleaning the logs and embers.

A soft brush is advised to clean the logs and burner unit. It may be necessary to clean the fire if debris or soot deposits have accumulated on the logs.

The ceramic parts are fragile; care must to be taken when handling this product.

Do not change the log layout or the quantity of material.

When placing the logs, it is important to carefully follow the log layout, the layout has been set to give the best performance and flame picture of the appliance any deviation may cause poor combustion.

The addition of further ceramic components is prohibited.

Ceramic components should last around 3 years in normal use at which time is recommended that they are replaced. Replacements can be bought from your stove Stockists. State the model number (found on the gas fire data plate). Always ask for genuine parts.

This appliance is manufactured by: Gas Product Services Ltd exclusively for Pevex Stoves.

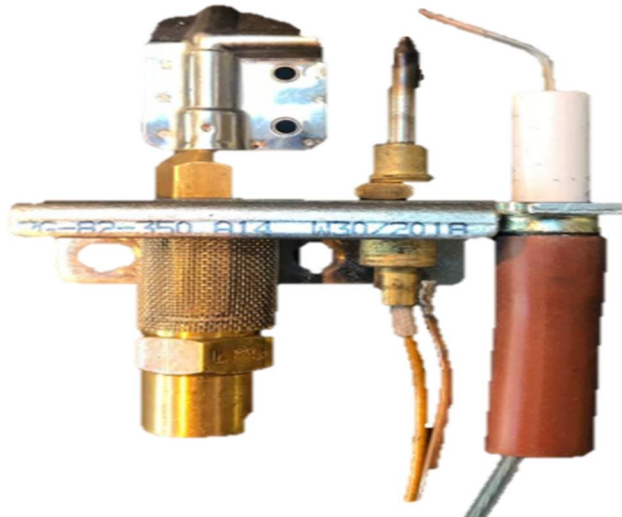
Control System Information TESC

The appliance is fitted with the Thermo Electric Safety Control (TESC). The system operates on radio frequency and has a remote-control handset.

The gas control has an automatic ignition system, therefore does not have a standing pilot.

The control required 3 AA size alkaline batteries to be inserted under the battery compartment cover.

The handset and control device have been paired up and is ready to use.



Handset

Ensure the power isolator switch on the front of Fire Control is in the on-position I.

For safety reasons a button must be pressed and released for the command to be recognized. Keeping hold of a button when pressing (unless otherwise instructed) will not be recognized as a command.

To operate the handset, it must be held in your hand so always ensure you have a good grip around the handset to unlock its functions. The green unlock light will illuminate to show when the handset is unlocked and ready to accept commands. This operation must be performed each time you want to operate the handset.

Handset:



Lighting the appliance

Important – To operate the handset it must always be unlocked, this is carried out by firmly holding the handset in one hand, which will allow operation of all functions.

Step 1: Unlock the handset by holding it.

The green unlock light will illuminate. Keep the handset held to keep the control unlocked, to enable operation of the buttons.

Step 2: With the other hand press the power button for about 3 seconds until:

A short acoustic beep will be heard and the unlock light on will flash, the word "pilot" will appear at the bottom left hand corner of the display screen. At this point release the power button.

Step 3: The Fire should be lit within a few seconds, if it fails to light then repeat the process.

Adjusting the flame height

Step 1: Unlock the handset by holding it.

Step 2: Press the "+" button to increase the flame height, press the "-" button to decrease the flame height

Turning off appliance

Step 1: Unlock the handset by holding it.

Step 2: Press and release the power button, this will turn off both the main burner and pilot burner.

Restarting the Appliance

If the fire is extinguished or goes out in use, allow 5 minutes before attempting to restart following the lighting sequence.

If the fire shuts itself off repeatedly, do not use the fire, and have the flue and fire checked by a suitably qualified person.

If the appliance is not lighting after 4 ignition attempts, close the gas tap and call the installer.

Close the gas tap in case of malfunctions and/or poor operation and warn the installer.

The appliance is designed to display a fault code on the handset in the event of a functional failure, this can be identified from the fault-finding section.

Additional control functions

In addition, the remote control can also be used to set a number of additional functions:

- Time and date
- Temperature display in degrees Celsius or Fahrenheit
- Snooze mode
- Thermostat function

Caution

Although highly improbable, we cannot rule out that your appliance's ignition process can be started unintentionally through other remote controls. For example, the remote control of your neighbor's gas heater, but also car keys and garage door openers. The result will be that your appliance will burn when you do not want it to.

Unintended ignition of your appliance could be solved or prevented by turning the ON/OFF switch or closing the gas tap near your appliance. This is the safest precaution if the appliance is not in use for long periods to turn the ON/OFF switch to the OFF position and to close the gas tap near your appliance.

Setting the time

Enter the SETUP menu. Hold the handset to unlock the keypad and keep held throughout the following steps.

Press and hold SET for several seconds. The symbol in the top center will flash. Press and release the "mode" button several times until the word "SETUP" appears flashing in the top right corner of the display.

Press and release "set" again to enter the "SETUP" menu.

Here you can change the clock from 12 hour or 24-hour format, the day of the week, hour of the day, minute of the day and the display in Celsius or Fahrenheit.

To navigate through the menu "SET" moves to the next parameter and "Mode" move back to the previous parameter. "+" and "-" change the display parameter.

Setting the display for 12- or 24-Hour display:

The H indicates that it is time to set the timer to either 24-hour display or 12 Hour (AM or PM) display. Press the "+" or "-" button on the handset to toggle between the two settings. When you are ready to confirm the setting, you want press the "SET" button to progress to setting the day of the week.

Setting the day of the week

Press and release the "+" and "-" buttons until the correct day of the week is shown on the display.

(Mo = Monday, Tu = Tuesday, We = Wednesday, Th = Thursday, Fr = Friday, Sa = Saturday and Su = Sunday).

Press "SET" to accept the day of the week and to progress to setting the Hour of the day. Note: Whilst doing this setup pressing "SET" advances to the next display and pressing "MODE" will return you to the previous display setting.

Setting the Hour

Press and release the "+" or "-" button to change the hour to the correct hour and press set to store and to move to setting the minute. Repeat this for setting the minutes.

Setting the temperature display to Celsius or Fahrenheit.

Press and release the "+" or "-" button to toggle between C and F. When the display shows the desired symbol, press and release the "SET" button to store.

As the important settings above have now been done, press and hold for a few seconds the "SET" button for a few seconds and this will exit the setup menu.

Snooze mode

Snooze mode is a time period you can set which will turn off the fire after a certain time period has elapsed. This function can be utilized during both the manual and thermostatic modes.

The snooze time period can be set before or during manual operation of the fire. Hold the handset to unlock as described previously and press the mode button as many times as necessary until the word MAN and the Zzz symbols are flashing at the top of the display. Press and release the set button and this will put the control into Manual snooze mode.

The default time period for the snooze time period is 1:00 hour. Pressing the set button again will show you the snooze time period remaining. This can be adjusted by pressing the "+" or "-" buttons. The timer period that can be set is from 1 minute to 4:00 hours.

After adjusting the time, press set again to enter the time setting required (or if left for a few seconds this time is now stored and used). Once this countdown timer has reached zero the fire will turn off.

Thermostatic mode

The handset has within it a thermostat sensor and this can be set so the fire will heat the room to match the temperature set in the handset.

There are 2 temperature types that can be set:

- Day mode temperature that has a sun symbol on the display
- the default temperature is 24 degrees Celsius.
- Night temperature that has a half moon symbol on the display
- the default temperature setting is 18 degrees Celsius.

Hold handset and press and release the mode button several times as necessary until the display has a thermometer symbol flashing at the top of the display. Press the set button to enter this mode.

Press the set button again to see the temperature setting that is set and the mode and on the left of the display is a sun symbol showing it's the day temperature.

If a different set temperature is required, while the display is showing this set temperature press the "+" and "-" buttons to alter the setting. When finished either press set or leave and after a few seconds the new setting will be accepted and the display will return to the time of day screen.

The fire will automatically turn to high or low rate depending on the set temperature. When the set temperature is reached while the fire is in operation, the fire reduces the burner power level each minute until the burner is off. The pilot will remain on for a further 30 minutes and if the set temperature is still too high, the pilot will then also extinguish.

NOTE: If at any time the power button is operated during Thermostat mode, the control will cancel any thermostat operation and return the control to manual mode.

Commissioning checks

| FLUE CHECKLIST | PASS | FAIL |
|----------------|------|------|
| Flue size | | |
| Flow test | | |
| Spillage test | | |

| GAS CHECKLIST | PASS | FAIL |
|-------------------|------|------|
| Soundness | | |
| Standing pressure | | |
| Working pressure | | |
| Burner pressure | | |
| Heat input | | |

| VENTILATION | PASS | FAIL |
|--|------|------|
| Ventilation requirements for appliance | | |

Dealer and Installer Information

| |
|-------------------|
| Dealer |
| Contact No. |
| Date of Purchase |
| Model No. |
| Stove Serial No. |
| Burner Serial No. |
| Gas Type |

| |
|------------------------------|
| Installation Company |
| Gas Safe Registered Engineer |
| Contact No. |
| Gas Safe Register No. |
| Date of Installation |

| Annual Service Record Year 1 |
|-------------------------------------|
| Gas Safe Registered Engineer: |
| Contact No.: |
| Gas Safe Register No.: |
| Date of Service: |
| Door seal replaced: |
| Comments: |

| Annual Service Record Year 2 |
|-------------------------------------|
| Gas Safe Registered Engineer: |
| Contact No.: |
| Gas Safe Register No.: |
| Date of Service: |
| Door seal replaced: |
| Comments: |

| Annual Service Record Year 3 |
|-------------------------------------|
| Gas Safe Registered Engineer: |
| Contact No.: |
| Gas Safe Register No.: |
| Date of Service: |
| Door seal replaced: |
| Comments: |

| Annual Service Record Year 4 |
|-------------------------------------|
| Gas Safe Registered Engineer: |
| Contact No.: |
| Gas Safe Register No.: |
| Date of Service: |
| Door seal replaced: |
| Comments: |

| Annual Service Record Year 5 |
|-------------------------------------|
| Gas Safe Registered Engineer: |
| Contact No.: |
| Gas Safe Register No.: |
| Date of Service: |
| Door seal replaced: |
| Comments: |

| Annual Service Record Year 6 |
|-------------------------------------|
| Gas Safe Registered Engineer: |
| Contact No.: |
| Gas Safe Register No.: |
| Date of Service: |
| Door seal replaced: |
| Comments: |

| Annual Service Record Year 7 |
|-------------------------------------|
| Gas Safe Registered Engineer: |
| Contact No.: |
| Gas Safe Register No.: |
| Date of Service: |
| Door seal replaced: |
| Comments: |

| Annual Service Record Year 8 |
|-------------------------------------|
| Gas Safe Registered Engineer: |
| Contact No.: |
| Gas Safe Register No.: |
| Date of Service: |
| Door seal replaced: |
| Comments: |

Warranty Term:

To validate and start your warranty please fill out this form and send it back to:

WARRANTY REGISTRATION
Peve Enterprises Ltd
Newbourne Rd,
Martlesham,
Nr Woodbridge
IP12 4PR

In the event of a breakdown or claim you are required to contact the installer/dealer. They will need to investigate the matter and process the claim on your behalf if required.

The Stove guarantee must be registered within 28 days of installing the appliance. Failure to register within this time period will result in the guarantee reverting to void from date of installation.

To register you must provide the full serial number of the appliance. This is clearly shown on the;

- Stove packaging
- Appliance data plate

Please also be advised that your appliance should be serviced annually to honor your warranty.

The appliance must be serviced annually by a Gas Safe Registered engineer in accordance with the manufacturer's instructions.

Service details must be recorded in the Installation and User Manual which must be available for inspection once making a warranty claim.

The cost of annual servicing is not included in the guarantee.

CONDITIONS OF WARRANTY

Your stove is guaranteed against defects arising from faulty manufacture for 2 years when supplied by a Peve Specialist.

Upon registration of the warranty, Peve will extend the guarantee period to 5 years from purchase. You must replace the pilot assembly every year to satisfy your extended warranty. Your details must be registered with us by returning the completed warranty card.

The warranty must be registered within 1 month of installation to qualify for the 5-year warranty. The appliance must be only used for normal domestic purposes and in accordance with our instructions and be correctly installed and serviced.

The guarantee does not cover: Installation Wear and tear parts deemed to be replaceable or service parts including electrical components that may be replaced during the normal usage of the appliance. Aesthetic damage caused by impact, spillage, water ingress, or condensate attack from flue.

This guarantee is personal to the original purchaser and not transferable. Any stove or defective part replaced shall become the Company's property.



Pe vex Warranty Registration

YOUR DETAILS

| | |
|----------------------|--|
| NAME | |
| ADDRESS | |
| POSTCODE | |
| Tel: | |
| EMAIL ADDRESS | |

PURCHASE DETAILS

| | |
|-----------------------|--|
| PURCHASED FROM | |
| PURCHASE DATE | |

PRODUCT DETAILS

| | |
|-----------------------------|--|
| APPLIANCE NAME | |
| APPLIANCE COLOUR | |
| STOVE SERIAL NUMBER | |
| BURNER SERIAL NUMBER | |
| GASTYPE | |